

10-Channel VPX Power Supply

KOLT

Features

- 3 ϕ , 115 Vac Ungrounded Input
- 28 Vdc Output, N8 Vdc Output
- 250W Output Power
- Discrete Input & Output
- Designed For Naval Applications
- Built-In-Test (BIT)
- RS422/485 Communication Interface
- 2U 19" IP-67 case
- Liquid Cooled

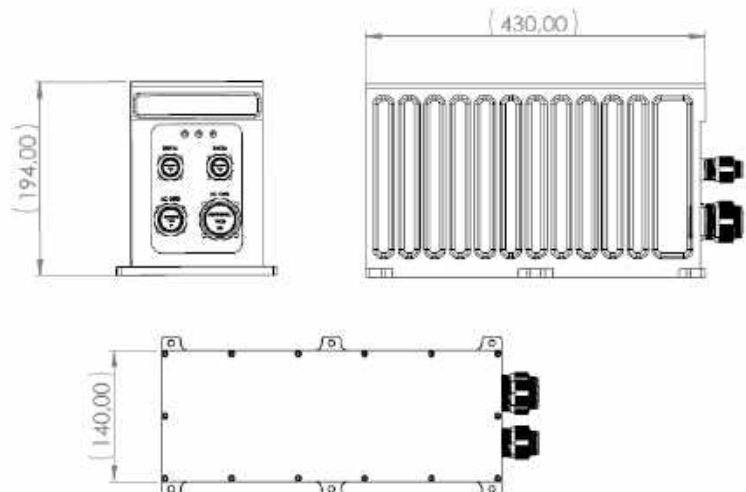


This environmentally sealed AC-DC power supply is designed for a naval electronic warfare power supply system. It is compact in size and forced air cooled.

It has a built-in control board that output test results through the communication interface at fixed intervals.

Input Voltage	3-Phase 115 Vac Ungrounded Input (Compliant With MIL-STD-1399 Type I)
Output Voltage	28 Vdc Output, N8Vdc Output
Environmental Test	
Temperature	-30°C to +50°C (Operating Temperature) -40°C to +65°C (Storage Temperature)
Humidity/Vibration	MIL-STD-810D
Shock	MIL-STD-810G
Salt and Corrosion/Sand and Dust	MIL-STD-810G CS101, CS114, CS115, CS116, RE101, RE102, RS101, RS103, CE102, CE106
Physical Features	
Dimensions	2U case (430 x 194 x 140 mm)
Weight	22 kg

Outline Drawing(mm)



For additional details please contact KOLT.
All Rights Reserved.
Product specifications may change without notice.
info@kolt.com.tr
www.kolt.com.tr