

# Product Data Sheet

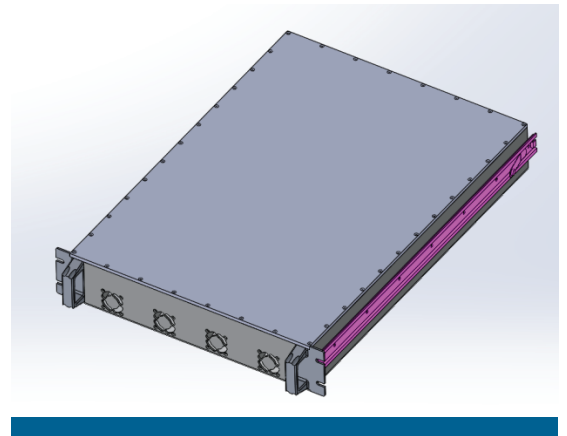
## 3kW Rack Mounted AC-DC Power Supply

Doc: 102616\_PRD\_Rev\_01



### Features

- 3- Phase 230 Vac Input
- Isolated Outputs
- $\pm 135$  VDC Output, 2700 W
- 28 VDC Output, 40 W
- 26 VDC Fan Outputs (x3)
- Built-In-Test (BIT)
- RS422/485 Interface
- Man-Aloft Switch
- 2U 19" IP-67 Case
- Forced Air Cooling



### Power Supply Unit;

3 phase, fed with 220V and regulated at its output, this unit generates +135V and -135V for High Voltage Power Supply. 28V for Power Amplifier Unit/Control Communication Interface Board. Three separate 26V for Power Amplifier Unit cooling fans.

Microprocessor in this unit runs an embedded software that collects information about the unit. Feedback is sent via the communication interface.

<b>Input Voltage</b>	3-Phase 230 Vac Input
<b>Output Voltage</b>	$\pm 135$ VCD Output, 2700 W
<b>Environmental Testing</b>	
<b>Temperature</b>	-30°C to +50°C (Operating Temperature) -40°C to +71°C (Storage Temperature)
<b>Vibration</b>	MIL-STD-810G
<b>Shock</b>	MIL-STD-810G
<b>EMI</b>	MIL-STD-461E
	CS101, CS114, CS115, CS116, RE101, RE102, RS101, RS103, CE102, CE106
<b>Physical Specifications</b>	
<b>Dimensions</b>	2U case (432 x 88,1 x 620 mm)
<b>Weight</b>	26 kg

