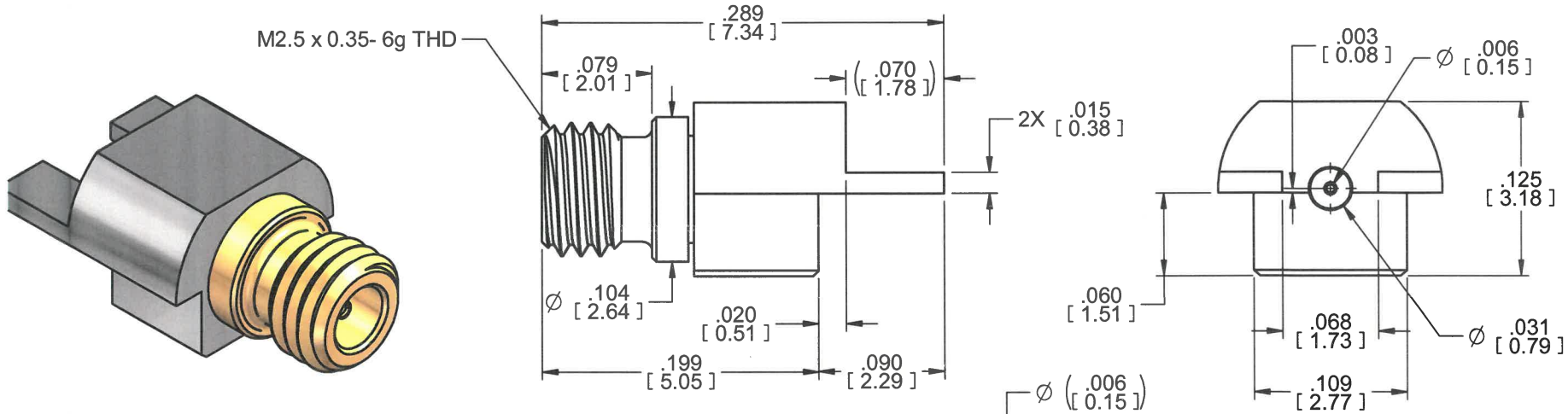


MODEL No.:

53056-005J

NOTE: Information herein is believed by Southwest Microwave, Inc. to be accurate. However, Southwest Microwave assumes no responsibility for any omissions or errors or inaccuracies for its use or for any infringements of patents or other rights of third parties that may result from its use. Data is intended for informational purpose only and does not constitute a contract of sale or any express or implied warranty, including any warranty of merchant ability or fitness for a particular purpose.



3. MATERIAL AND FINISH:

SMI INTERFACE  
0.9mm SuperMini JACK

3.1 MATERIALS

3.1.1 JACK HOUSING, CENTER CONTACT AND RETAINER BUSHING:  
- BeCu ALLOY

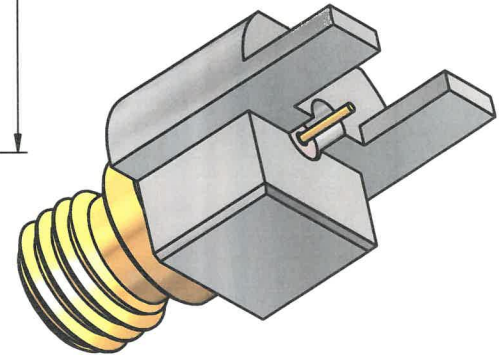
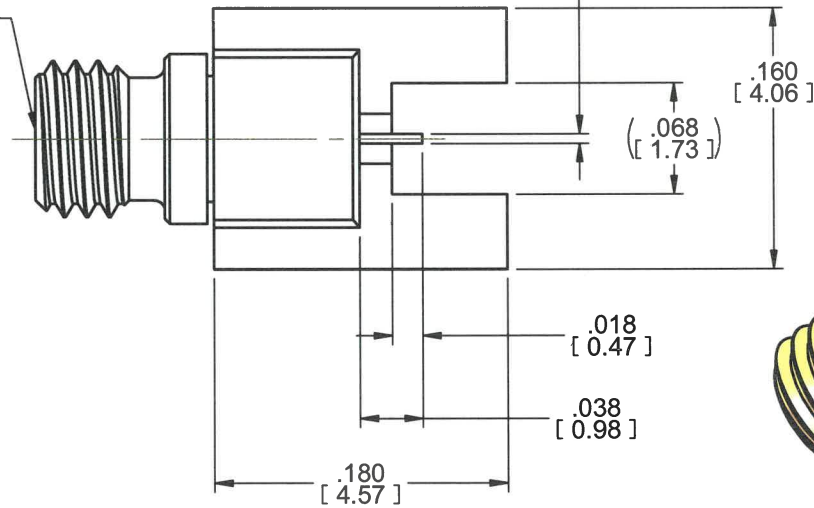
3.1.2 DIELECTRICS:  
- HIGH TEMPERATURE POLYMER

3.1.3 PCB MOUNT HOUSING:  
- STAINLESS STEEL

3.2 FINISHES

3.2.1 JACK HOUSING, RETAINER BUSHING:  
- GOLD PLATE PER MIL-DTL-45204

3.2.2 PCB MOUNT HOUSING, CENTER CONTACT:  
- PALLADIUM PLATE



2. CONNECTOR DESIGN IS COMPATIBLE WITH CURRENT MATERIAL AND PROCESS REQUIREMENTS FOR RoHS AND WEEE PER EUROPEAN COMMUNITY DIRECTIVE 2002/95/EC.

1. ALL DIMENSIONS ARE IN INCHES. ALL ANGLES ARE IN DEGREES. DIMENSIONS SHOWN IN BRACKETS [XXX] ARE IN MILLIMETERS.

NOTES: UNLESS OTHERWISE SPECIFIED.

FSCM NO. 66049

REV: A1	ECN: 9317	DESCRIPTION: REVISED DWG TITLE	BY: E.OLSEN	APPRD: [Signature]	DATE: 1/16/15
---------	-----------	--------------------------------	-------------	--------------------	---------------



Southwest Microwave, Inc.  
9055 South McKemy Street  
Tempe, Arizona 85284-2946  
Telephone (480) 783-0201  
Fax (480) 783-0360

TITLE		0.9mm SuperMini JACK PCB EDGE MOUNT Ø.006 PIN	
DRN BY: EJO	DATE: 9/20/13	MODEL NO. 53056-005J	REV. A1
SCALE 9:1		DWG. NO. 79BT61185	
SHEET: 1 OF 1			