

New Product



A300D

Three Axis Accelerometer with VELOX™



The new SX2, A300D three-axis MEMS accelerometer offers **the latest advancements in inertial technology**. It is equipped with low noise sensors, cutting edge VELOX™ processing and user configurable firmware with the most advanced features available. In addition, the A300D accelerometer comes factory calibrated over temperature and is conditioned to repeatably perform over demanding environments.

0.058 mg /√Hz
VRW

±40 g
Sensor Range

0.5 mg
Bias Over Temperature

800Hz
Bandwidth

0.6
Cubic Inches

44μs
Message Delay

Low Noise. High Speed.
Inertial Systems and Sensors



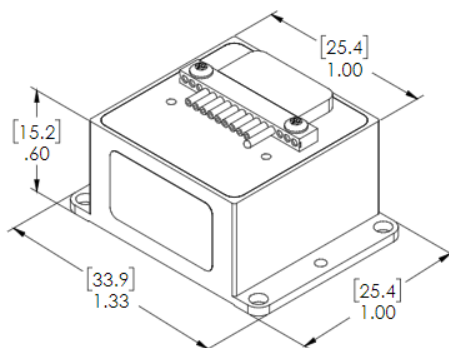
A300D Accelerometer

Performance	
Range	± 40 g
VRW	0.024 m/s/vHr / 0.058 mg/√Hz
Bias In-Run	0.015 mg
Bias Over Temp.	0.5 mg
Vibration Rectification	250 µg/g ²
Scale Factor Error	≤ 0.02%
Alignment	0.5 mrad
Environment	
Shock	1000g ½ sine 1 ms powered on
Vibration	10 gRMS (50 Hz to 2 kHz)
Calibrated Temp	-50°C to 85°C
Non-Operating Temp	-55°C to 105°C
Interface with VELOX™	
Data Interface	RS-422/485
Data Rate	5 kHz
External Sync	8 kHz
Max Baud Rate	3.0 Mbaud
Max Bandwidth	800 Hz
Digital Message Delay	44 µs
Electrical	
Input Voltage	+5.0 V to +5.5 V Input (single sided)
Power Consumption	275 mW Typical / 375 mW Maximum
Mechanical	
Mass	19.25 grams ±0.5
Size	Metric: 2.54 x 2.54 x 1.52 = 9.81 cm ³ US: 1.0 x 1.0 x 0.6 = 0.6in ³

All performance parameters 1σ
 Specification subject to change without notice
 Rev. 3.1.21

Further Technical
 Information Available:

sales@gladiatortechnologies.com



NON ITAR



GLADIATOR
 TECHNOLOGIES

Gladiator Technologies
 8022 Bracken Pl SE
 Snoqualmie, WA 98065, USA

425.363.4180
www.gladiatortechnologies.com
sales@gladiatortechnologies.com